

# **TCM**

## **WHEEL LOADER**

**SUPER SILENT LOADER**

Bucket capacity .....0.8~1.3yd<sup>3</sup>/0.6~1.0m<sup>3</sup>

Flywheel horsepower .....36.4HP/27.2kw

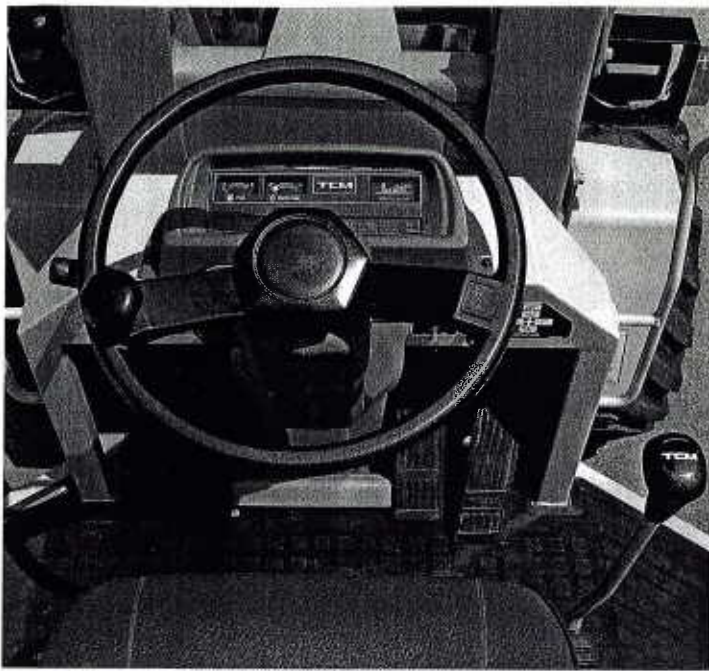
Operating weight .....7830lb/3550kg

# 806



● Machine shown may include optional equipment.

- **New SSS (Super Silent System) Features Reduced Noise and Vibration Levels**
- **New Fuel Efficient High Performance Engine**
- **New Variable-speed Automatic HST Transmission**
- **New Oscillating Rear Axle for Superior Stability and Rough Terrain Operation**
- **New Modern Compact Design Equipped with Environmental Features**



## Deluxe instrument panel

Extensive gauges and monitors provide necessary information at a glance.



### Gauges:

- ① Hourmeter
- ② Fuel gauge
- ③ Engine water temperature gauge

### Monitor warning lights:

- ④ Parking brake
- ⑤ Engine oil pressure

- ⑥ Brake oil level

- ⑦ Battery electrolyte level
- ⑧ Air cleaner restriction
- ⑨ HST oil temperature
- ⑩ HST oil pressure
- ⑪ HST oil filter restriction
- ⑫ Glow indicator

## Environmental design

The wheel loader's design utilizes materials which can be recycled thereby reducing industrial waste. Its quiet and fuel efficient operation minimizes air and noise pollution.

## Newly developed variable speed automatic HST transmission

A new variable speed automatic HST (Hydrostatic Transmission) assures smooth and easy control. The operator's hands remain free since manual engine Rpm adjustment is not required. Travel speed and tractive power are automatically provided by foot pedal control. An inching pedal allows precise braking control in delicate operations and also assures smooth machine stops on inclines.

## Oscillating rear axle and high floatation tires

An oscillating rear axle combined with high floatation tires allow all four wheels to maintain ground contact, even in the roughest terrain or soft conditions. Comfortable and stable operation reduces operator's fatigue.



Tires-type and size

15.5/60-18-8PR(L-2) Tubeless



## Easy access for maintenance

A light touch engine hood provides full access for routine service and maintenance.

- 1. Radiator coolant reservoir
- 2. Water separator
- 3. Cartridge fuel filter
- 4. Hydraulic oil level sight gauge

- 5. Cyclopack air cleaner with restriction indicator
- 6. Automatic fuel / air bleed
- 7. Quick detach removable floor board

## Highest dump height and reach in its class

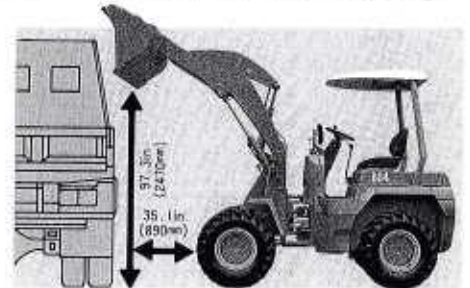


Photo 804

## New automatic bucket leveler

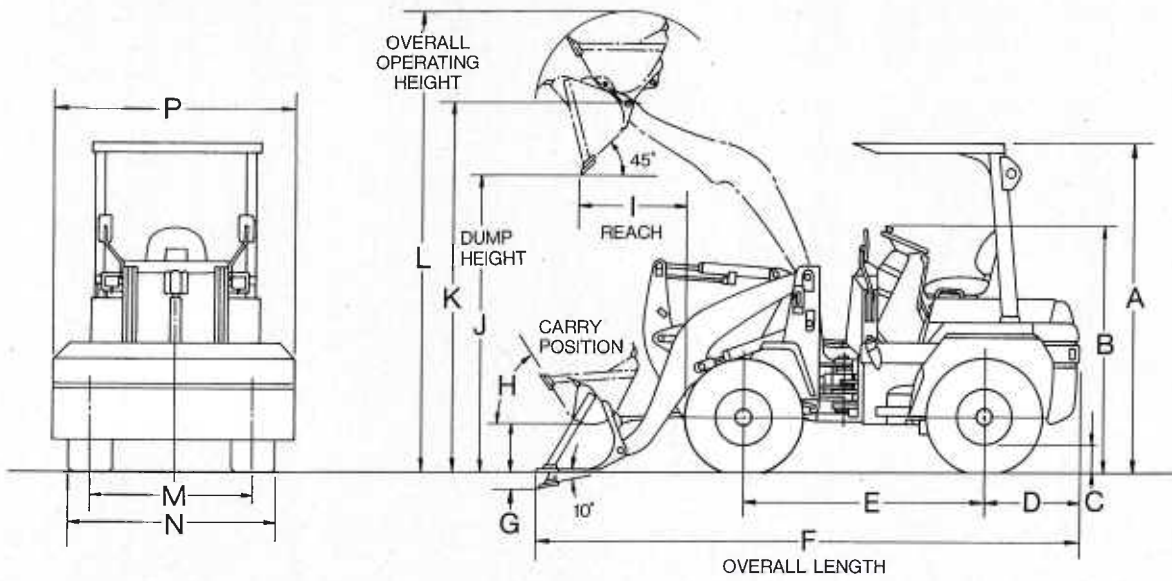
New electronic bucket leveler automatically returns the bucket to the dig position. This insures

efficient and smooth operation and greater operator productivity.





# STANDARD DIMENSIONS (with ROPS Canopy)



## DIMENSIONS

	A	B	C	D	E	H	K	M	N	F, G, I, J, L & P
With ROPS Canopy & 15.5/60-18-8PR(L-2) T/L tires	in 102.8	73.4	11.6	31.1	74.8	55°	122.6	49.6	65.4	See chart below
	mm 2610	1865	295	790	1900	55°	3115	1260	1660	

## OPERATING DATA

Bucket type		General Purpose			Light Duty
		Bolt-on Cutting Edge	Bolt-on Teeth	Without Teeth	Bolt-on Cutting Edge
Bucket capacity, rated (heaped)	yd³/m³	0.80/0.60	0.80/0.60	0.80/0.60	1.30/1.00
Bucket capacity, struck	yd³/m³	0.67/0.51	0.67/0.51	0.67/0.51	1.18/0.90
Bucket width	(P) in/mm	66.5/1690	66.5/1690	66.5/1690	72.5/1840
Dump height at full lift and 45° discharge	(J) in/mm	97.3/2470	94.5/2400	97.8/2485	91.2/2315
Reach at full lift and 45° discharge	(I) in/mm	35.1/890	36.2/920	34.5/875	40.6/1030
Reach with lift arm horizontal and bucket level	in/mm	73.8/1875	77.4/1965	73.0/1855	82.5/2095
Reach at 7'00"/2130 mm height and 45° discharge	in/mm	46.3/1175	46.1/1170	46.5/1180	47.6/1210
Digging depth (10° discharge)	(G) in/mm	7.5/190	8.3/210	6.7/170	8.7/220
Overall length	(F) in/mm	178.3/4530	181.9/4620	177.6/4510	187.0/4750
Overall operating height	(L) in/mm	154.7/3930	154.7/3930	154.7/3930	168.5/4280
Turning radius (Bucket in carry position)	in/mm	154.7/3930	155.7/3955	154.7/3930	159.4/4050
Breakout force (Bucket cyl.)	lb/kg	7080/3210	6610/3000	7690/3490	5360/2430
Static tipping load, straight	lb/kg	5750/2610	5750/2610	6000/2720	5620/2550
	full (40°) turn	lb/kg	5000/2270	5200/2360	4890/2220
Operating weight	lb/kg	7830/3550	7800/3540	7760/3520	7960/3610

\* All dimensions, weights and performance values based on SAE J732C and J742b standards where applicable.

\* All dimensions, weights and performance values are approximate with reasonable accuracy, including bucket, tires and ROPS Canopy shown.

## SUPPLEMENTAL OPERATING DATA

		Static Tipping Load		Operating Weight
		Full Turn	Straight	
Without ROPS Canopy	lb/kg	-510/-230	-550/-250	-490/-220
With Awning Canopy (In lieu of ROPS Canopy)	lb/kg	-400/-180	-420/-190	-370/-170
With Steel Cabin (In lieu of ROPS Canopy)	lb/kg	-130/-60	-130/-60	0/ 0
With ROPS Cabin (In lieu of ROPS Canopy)	lb/kg	130/ 60	150/ 70	290/ 130

TCM reserves the right to change these specifications without incurring any obligation relating to such changes.



level  
ion  
e  
ction

outline

ner with

bleed  
vable

ISS



Photo 804

et to

: and

in  
ater

ivity.

# TCM WHEEL LOADER

## SUPER SILENT LOADER

# 806



### STANDARD EQUIPMENT

#### DRIVE TRAIN

- Fuel efficient Kubota diesel engine
- Alternator (12V, 30 amp)
- Articulated frame
- 4 wheel drive system
- Variable HST transmission
- Oscillating rear axle
- 15.5/60-18-8PR(L-2) high floatation tubeless tires
- Limited slip differential (for U.S.A. market)

#### LOADING SYSTEM

- 0.8 Cu.Yd./0.6 Cu.M. General purpose bucket with reversible cutting edge
- Automatic bucket leveler
- Single load control lever with safety lock

#### CONTROLS

- Neutral safety start
- Starter key engine shut off
- Full hydraulic power steering
- Enclosed wet disc type service brake with hydraulic booster
- Wet disc one touch parking brake returns transmission to neutral
- Adjustable seat

#### ADDITIONAL EQUIPMENT

- Steering wheel with palm grip
- Accelerator pedal
- Twin foot brake pedals : one for inching
- Access ladders (right & left)
- Fenders (front & rear)
- Large footsteps (right & left)
- Large hand grips (right & left)
- Rubber floor mat

- Quick detach removable floor board
- Enclosed engine hood with dampening cylinder
- Muffler
- Counterweight with noise reduction air duct
- Drawbar hitch
- Lifting lugs
- Radiator coolant reservoir
- Key lock fuel cap
- Fuel strainer
- Water separator
- Automatic fuel/air bleed
- Tool kit
- Horn

#### Filters :

- Cyclopack air cleaner with restriction indicator
- Cartridge fuel filter
- Engine oil filter
- HST oil filter
- Hydraulic oil filter

#### Sight gauges :

- HST oil level
- Hydraulic oil level

#### Integrated instrument panel with illumination lighting

#### Lights :

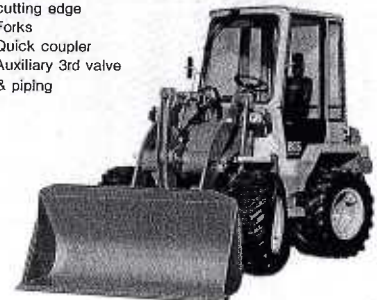
- Front headlights (2)
- Front turning lamps (2)
- Rear combination lamps with reflectors (2)
- Rear view mirrors (2)

### OPTIONAL EQUIPMENT

- Awning Canopy
- ROPS Canopy. (\*)
- Steel Cabin with safety glass, windshield wiper/washer(front & rear), dome light, mirror,
- ROPS Cabin with safety glass, windshield wiper/washer(front & rear), dome light, mirror.(\*)
- Seat belt
- Back-up alarm
- Air conditioner (\*: Meets SAE ROPS & FOPS requirements.)
- Heater & defroster
- Solid tires

### OPTIONAL WORKING EQUIPMENT

- 0.8 Cu.Yd./0.6 Cu.M. General purpose bucket
- 1.3 Cu.Yd./1.0 Cu.M. Light material bucket
- 0.45 Cu.Yd./0.35 Cu.M. Multi-purpose bucket
- Bolt-on bucket teeth
- Bolt-on reversible cutting edge
- Forks
- Quick coupler
- Auxiliary 3rd valve & piping



Manufactured by

# TCM

**Toyo Umpanki Company, Limited**

1-15-5, Nishi-shimbashi Minato-ku, Tokyo, 105 Japan  
 Telex: J-23991 TCM TOK  
 FAX: JAPAN 3-35918152

Distributed by